

# UNIVERSAL

SKU: K-12701 / K-12702

## Features

- 3~40W LED emergency driver
- Slim design with size: L130mm × W58mm × H22mm
- Non-maintained mode
- Constant current output
- SELV output (10~150V)
- Overcharge, over discharge protection
- Over temperature protection
- Short circuit protection
- 3.7V Lithium ion battery
- Comply with latest safety and EMC standard.



## Description

This unit is non-maintained mode design, operates from 85Vac to 265Vac input voltage, and provides constant current 100mA output. It will provide 4W maximum output power at emergency mode. **The system will auto shift to emergency mode when the main power fails.**

## Specifications

Supply Voltage	Battery voltage	Charge current	Ingress protection	Protection class
85Vac-265Vac	3.7V	200mA-300mA ± 10%	IP30	Class II

Note: All specifications are typical at 25 °C unless otherwise stated

## Batteries discharge specifications

Parameter	Min.	Typ.	Max.	Notes
Battery discharge current	800mA	950mA	1200mA	Measured at 3.7V input for batteries
Output voltage	2.8V	3.7V	4.25V	
Output constant current	800mA	950mA	1200mA	
Emergency power	3.5W	4W	4.44W	
Emergency Time	Emergency Power	Batteries		Notes
2 hours	4W	3.7V 2400mAh Lithium ion		Code K-12701
3 hours	4W	3.7V 3400mAh Lithium ion		Code K-12702

Note: All specifications are typical at 25 °C unless otherwise stated

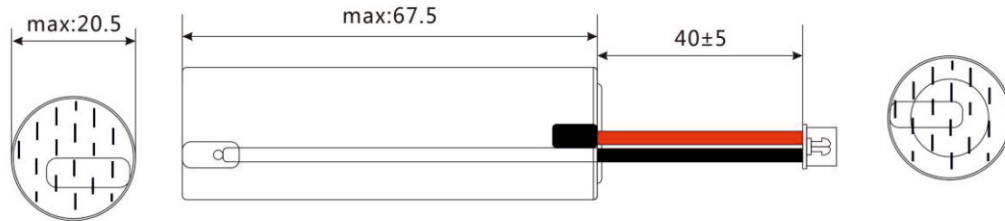
## Batteries charge specifications

Charge Time	Charge Current	Batteries	Notes
14-15 hours	200mA ± 10%	3.7V 2400mAh Lithium ion	-
12-13 hours	300mA ± 10%	3.7V 2400mAh Lithium ion	-
17-18 hours	200mA ± 10%	3.7V 3400mAh Lithium ion	-
13-14 hours	300mA ± 10%	3.7V 3400mAh Lithium ion	-

Note: All specifications are typical at 25 °C unless otherwise stated

## Batteries mechanical Outline

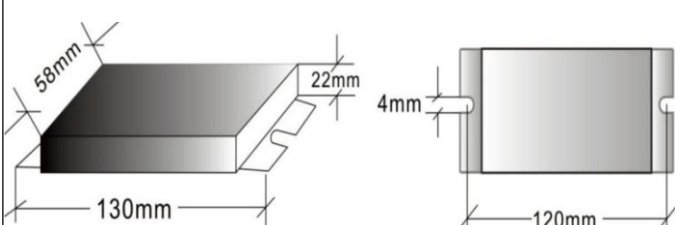
3.7V 2400mAh Lithium ion (unit: mm)



## Status indication

Indicator	Status	Note
Green	Mains is on, system work at normal mode	
Blue	Mains fails, system work at emergency mode	
Red	Charging status	

## General Specifications

Parameter	Min.	Typ.	Max.	Notes
Dimensions				
Millimeters (L × W × H)	130 x 58 x 22mm			

## Environmental Specifications

Parameter	Min.	Typ.	Max.
Operating Temperature	-10 °C	-	55 °C
Storage Temperature	-10 °C	-	55 °C

Note: Normal temp. grade batteries can only work at 0-40 °C, for applications of lower or higher operating temperature, low temp grade battery and high temp grade battery is needed.

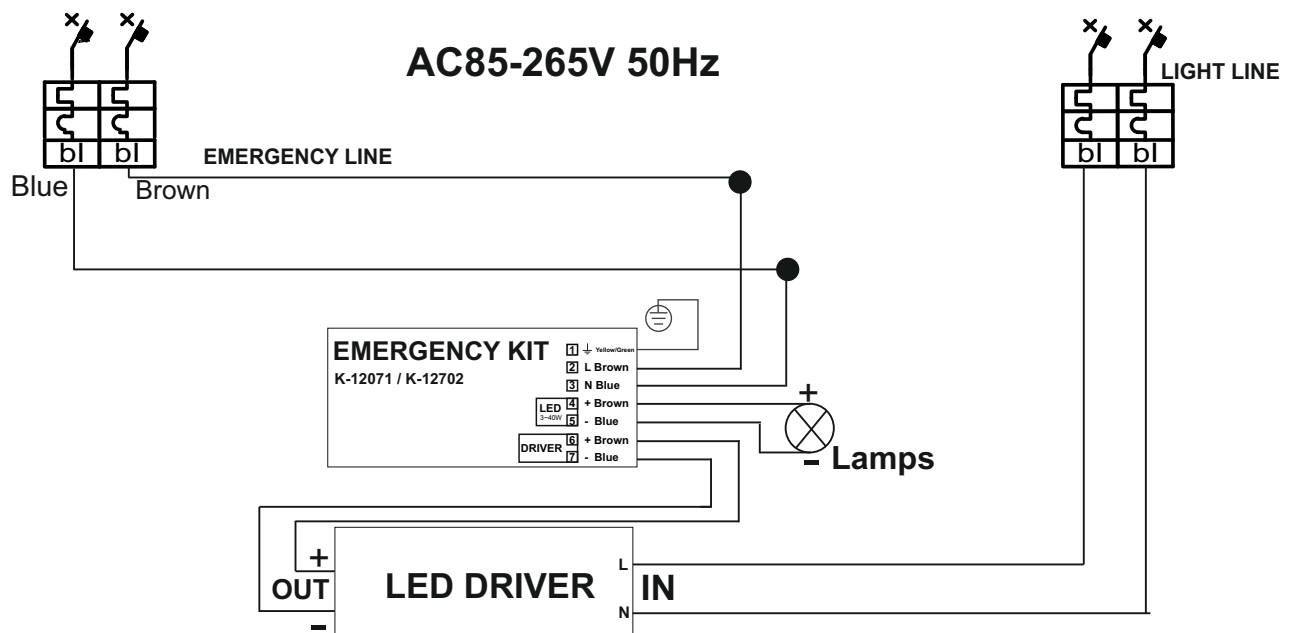
### Safety Compliance

Safety Category	Country	Standard
CE	Europe	EN55015:2013, EN61547:2009, EN61000-3-2:2014, EN61000-3-3:2013

### EMC Compliance

EMC Category	Country	Standard
EMI	Europe	EN 55015
EMS	Europe	EN 61000-3-2, EN 61000-3-3, EN 61547

## WIRING DIAGRAMS



● — It indicates the connection



### RoHS Compliance

Our products comply with the European Directive 2011/65/EC, calling for the elimination of lead and other hazardous substances from electronic products.